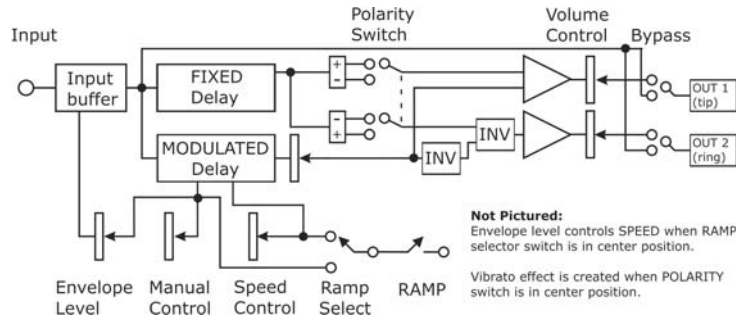


# Paradox TZF<sub>2</sub>

**FOXROX**  
ELECTRONICS



**DIMENSIONS:** Width 5" Depth 4.8" Height 2.85"  
**WEIGHT:** 1.5 lbs.  
**VOLTAGE:** 18 Volts DC External Power  
**CURRENT DRAW:** 100 mA  
**POWER CONNECTOR:** 2.1 mm, Center Negative (FX Standard)

**FOXROX**  
ELECTRONICS

# Paradox TZF<sub>2</sub>

Through-Zero  
Flanger



**Paradox TZF2** is an analog through-zero flanger geared towards live performance. Organic, time-based modulation with interactive sweep control and warm analog processing produce flanging sounds that you've heard in recordings and in nature, but have never been able to recreate.

**Switching:** Quiet, reliable bypass switching is done with a buffer and an FET signal switching circuit, which is controlled by a latching foot switch. Status is indicated with a yellow LED.

**Stereo Outputs:** A wide stereo image can be created by splitting the output to two amps. This is done by splitting the stereo 1/4" output jack to two mono 1/4" plugs. The fixed delay is sent to each side while the modulated delay is sent with opposing polarities.

**Important application tip:** For best results, run overdrive/distortion/fuzz effects BEFORE Paradox TZF2. That is, between your guitar and the flanger. After that, run Paradox TZF2 into a CLEAN amp.

A dirty signal at the input will give TZF2 a richer frequency range to deal with, creating the most pronounced effect. And a clean amp will reproduce the effect most accurately. Doing it the other way around, clean guitar into TZF2 and then into dirt pedals or a distorted amp, will mask the effect to the point where it is almost inaudible.

FOR MORE PARADOX TZF2 INFORMATION, VISIT [FOXROXELECTRONICS.COM](http://FOXROXELECTRONICS.COM)

## CONTROLS

**VOLUME:** Adjust to match bypass level. Typical setting is around 12:00.

**FLANGE MIX:** Control the level of the modulated delay in the mix. Typical setting is max.

**ENVELOPE:** Adjust the sensitivity of the envelope control circuit. Typical setting varies based on the loudness of the source and the desired effect.

**DEPTH:** Adjust the width of the LFO sweep. Turn all the way down to shut sweep off.

**MANUAL:** Adjust the delay time of the modulated delay. This controls the flange point.

**SPEED:** Set LFO speed. Set slowest speed when using Ramp or Envelope control. A red LED flashes to indicate speed.

**RAMP SWITCH:** Momentary foot switch introduces gradual increase/decrease to Speed or Manual setting, determined by Ramp selector switch.

**RAMP SELECTOR SWITCH:** Select between Speed ramp and Manual ramp. Activate Envelope Controlled Speed by setting switch in center position.

**POLARITY SWITCH:** Select positive or negative flanging. Center position shuts off the fixed delay, creating a vibrato effect.

**WARRANTY:** FOXROX warranties this pedal for 5 years against failure. Parts and labor are covered. Warranty does not cover damage due to improper voltage, unauthorized modifications and extreme treatment. For repair help, contact [service@FOXROXelectronics.com](mailto:service@FOXROXelectronics.com)