

Power Table						
Ref Des	Device(Type)	Package	-16VA	+15V	-15V	+16VA
U1	3707401_	14DIP_3	4	11		
U2	3753201_	8DIP_3	8	4		
U3	3753201_	8DIP_3	4		8	

FOR 07-673-01 / -02 ASSEMBLIES

CAUTION:
THIS SCHEMATIC IS PROVIDED FOR USE BY QUALIFIED PERSONNEL. TO AVOID RISK OF ELECTRIC SHOCK, REFER SERVICING TO QUALIFIED SERVICE PERSONNEL. DO NOT PERFORM ANY SERVICING BEYOND THAT EXPLAINED IN THE OPERATING INSTRUCTIONS.

- NOTES:**
- 1) CAUTION: SHOCK HAZARD!! THIS UNIT CONTAINS HAZARDOUS VOLTAGE. DISCONNECT POWER AND BE SURE POWER SUPPLY IS DISCHARGED BEFORE TOUCHING INTERNAL PARTS.
 - 2) UNLESS NOTED, RESISTOR VALUES IN OHMS, 1/4W-5% TOL. CAPACITOR VALUES IN MICROFARADS, 50V-10% TOL.
 - 3) VOLTAGES ARE MEASURED WITH 1 MEGOHM OSCILLOSCOPE AND 10 MEGOHM DIGITAL VOLTMETER.

TEST POINT CONDITIONS NOTE :
1 KHz INPUT SINEWAVE 120mV @ 0 dB INPUT JACK. 120VAC LINE, VOLUME, GAIN & HP LEVEL @ "10" TONES @ "5", DC VOLTAGES WITH NO SIGNAL APPLIED.

⚠ NOT USED

REV	Date	DESCRIPTION	Ecr(s)/Ecn(s)	Chgd By	Appvd by	Date
1	05/30/06	ADDED -02 ASSEMBLY				
0	12/15/05	CONTROL ISSUE				

THE INFORMATION CONTAINED ON THIS DRAWING IS PROPRIETARY TO ST. LOUIS MUSIC, INC

Signatures:		Date:
Drawn: RLB		5-9-05
Checked:		First Used On:
Released:		
Plot Date: Wed May 31, 2006	Drawing Size: C	Drawing Title:
Plot Time: 06:13:04	Drawing Type: Schematic	BASS AMP
Tolerance:	Class Code: NONE	Drawing Number:
	Sheet 1 of 3	07S673

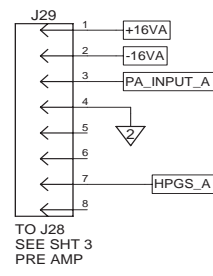
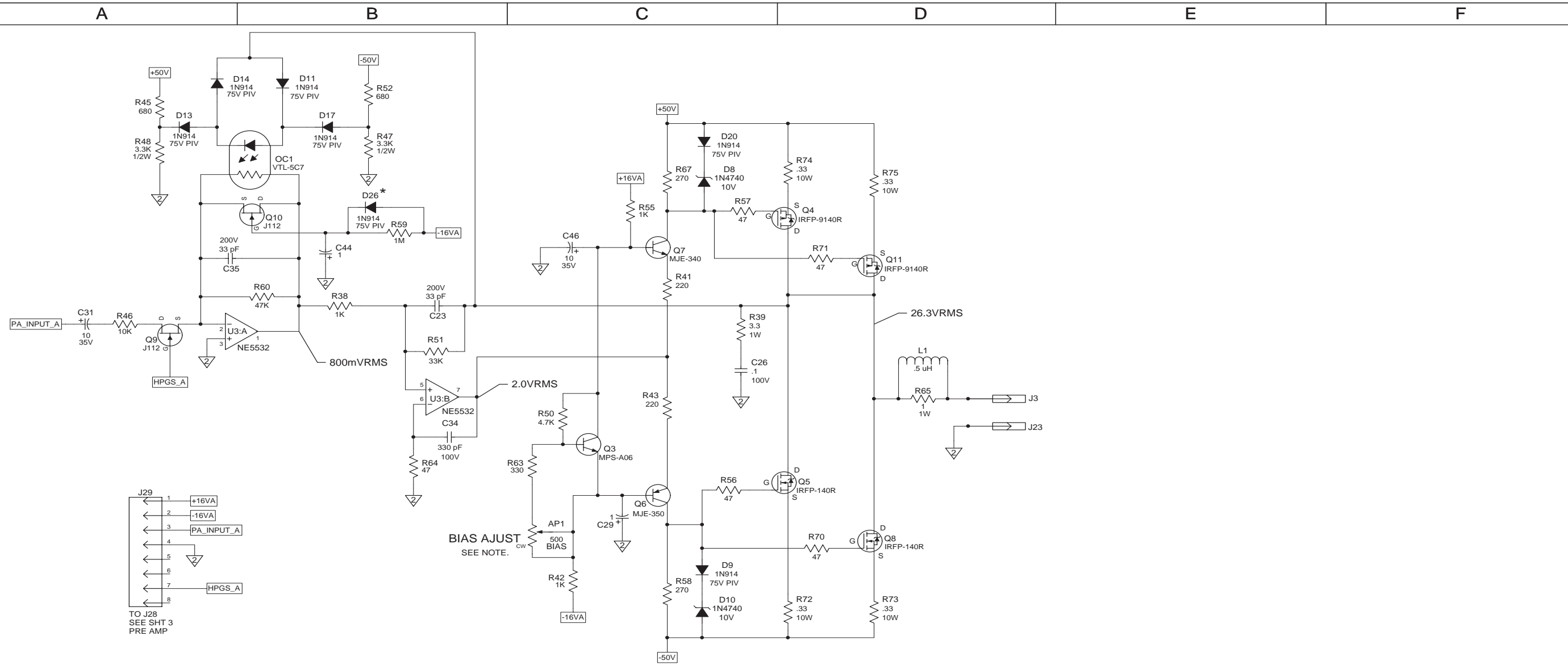


B-200R

©2007 LOUD Technologies Inc. All rights reserved

Bass Amplifier PCB Schematics

PAGE 1



FOR 07-673-01 / -02 ASSEMBLIES

CAUTION:
THIS SCHEMATIC IS PROVIDED FOR USE BY QUALIFIED PERSONNEL. TO AVOID RISK OF ELECTRIC SHOCK, REFER SERVICING TO QUALIFIED SERVICE PERSONNEL. DO NOT PERFORM ANY SERVICING BEYOND THAT EXPLAINED IN THE OPERATING INSTRUCTIONS.

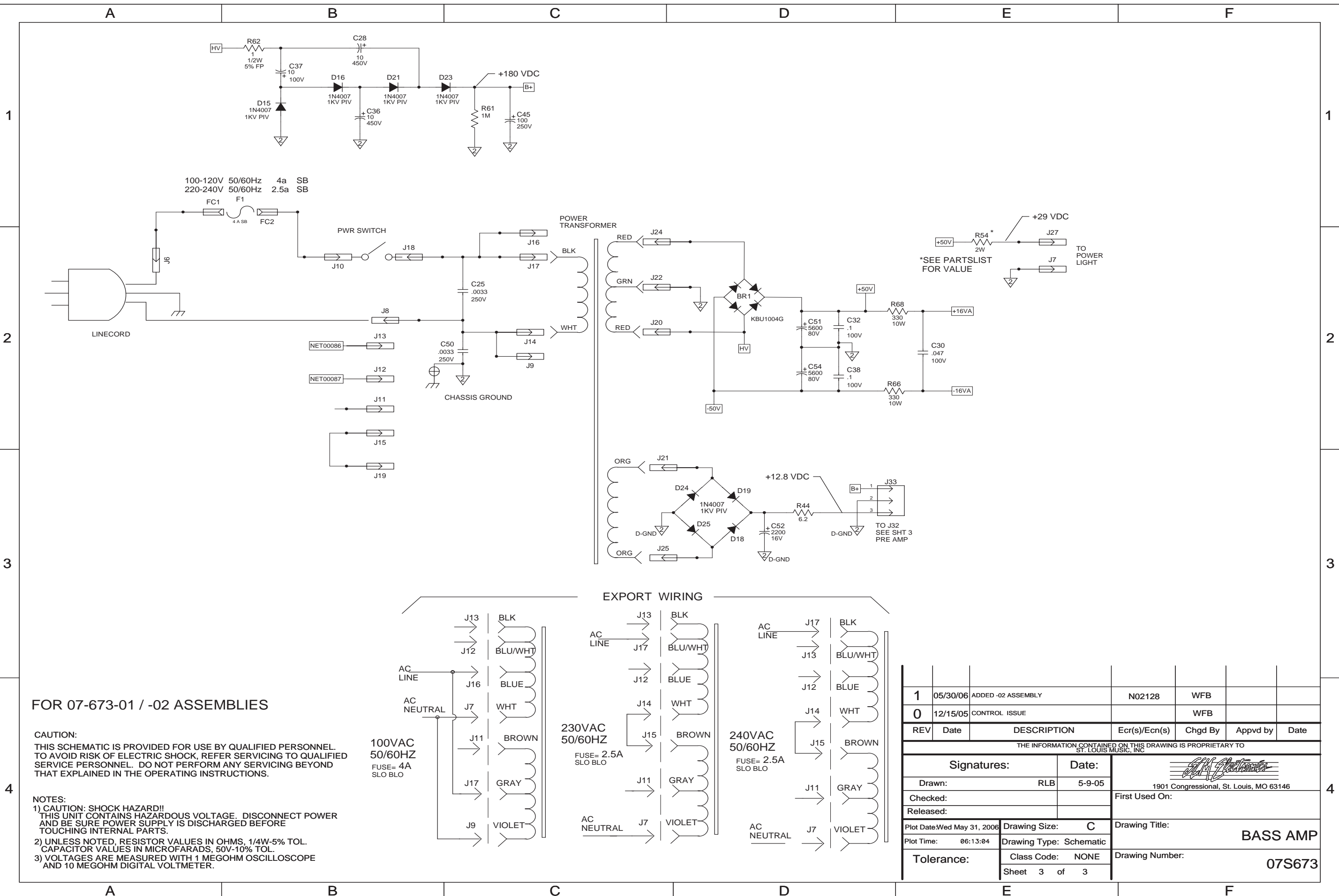
- NOTES:**
- 1) CAUTION: SHOCK HAZARD!! THIS UNIT CONTAINS HAZARDOUS VOLTAGE. DISCONNECT POWER AND BE SURE POWER SUPPLY IS DISCHARGED BEFORE TOUCHING INTERNAL PARTS.
 - 2) UNLESS NOTED, RESISTOR VALUES IN OHMS, 1/4W-5% TOL. CAPACITOR VALUES IN MICROFARADS, 50V-10% TOL.
 - 3) VOLTAGES ARE MEASURED WITH 1 MEGOHM OSCILLOSCOPE AND 10 MEGOHM DIGITAL VOLTMETER.

*** D26 ON -02 VERSION ONLY**

NOTE: SET BIAS VOLTAGE FROM COLD START ACROSS R72 - R75 , 15 -20 mV DC AVERAGE , NO SIGNAL, NO LOAD.

TEST POINT CONDITIONS NOTE :
1 KHz INPUT SINEWAVE 120mV @ 0 dB INPUT JACK. 120VAC LINE, VOLUME, GAIN & HP LEVEL @ "10" TONES @ "5" , DC VOLTAGES WITH NO SIGNAL APPLIED.

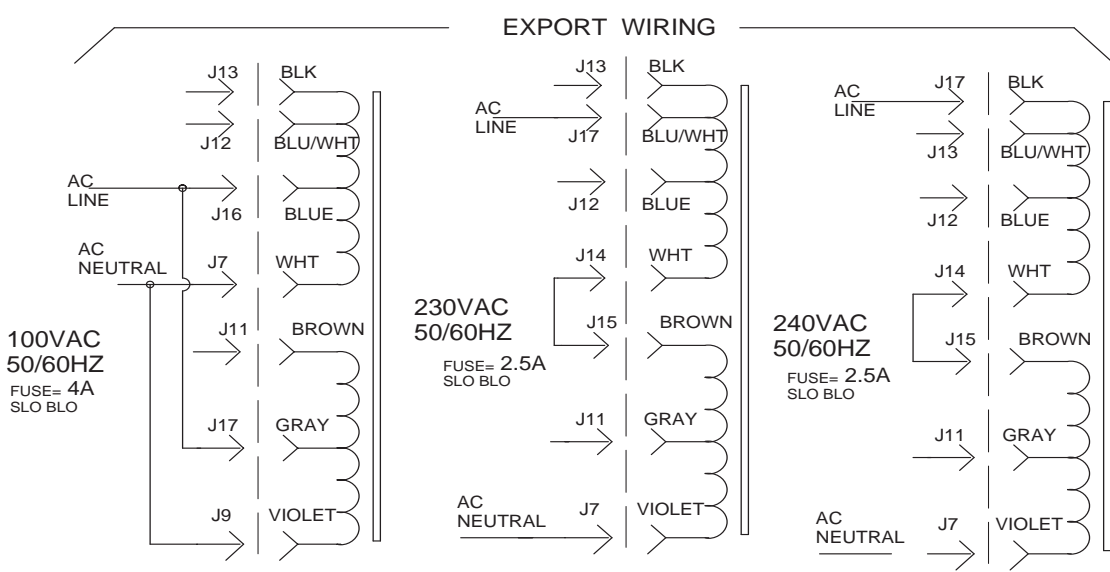
1	05/30/06	ADDED -02 ASSEMBLY	N02128	WFB		
0	12/15/05	CONTROL ISSUE		WFB		
REV	Date	DESCRIPTION	Ecr(s)/Ecn(s)	Chgd By	Appvd by	Date
THE INFORMATION CONTAINED ON THIS DRAWING IS PROPRIETARY TO ST. LOUIS MUSIC, INC						
Signatures:			Date:		 1901 Congressional, St. Louis, MO 63146	
Drawn: RLB		5-9-05				
Checked:					First Used On:	
Released:						
Plot Date: Wed May 31, 2006		Drawing Size: C		Drawing Title:		
Plot Time: 06:13:04		Drawing Type: Schematic		BASS AMP		
Tolerance:		Class Code: NONE		Drawing Number:		
		Sheet 2 of 3		07S673		



FOR 07-673-01 / -02 ASSEMBLIES

CAUTION:
THIS SCHEMATIC IS PROVIDED FOR USE BY QUALIFIED PERSONNEL TO AVOID RISK OF ELECTRIC SHOCK, REFER SERVICING TO QUALIFIED SERVICE PERSONNEL. DO NOT PERFORM ANY SERVICING BEYOND THAT EXPLAINED IN THE OPERATING INSTRUCTIONS.

- NOTES:**
 1) CAUTION: SHOCK HAZARD!! THIS UNIT CONTAINS HAZARDOUS VOLTAGE. DISCONNECT POWER AND BE SURE POWER SUPPLY IS DISCHARGED BEFORE TOUCHING INTERNAL PARTS.
 2) UNLESS NOTED, RESISTOR VALUES IN OHMS, 1/4W-5% TOL. CAPACITOR VALUES IN MICROFARADS, 50V-10% TOL.
 3) VOLTAGES ARE MEASURED WITH 1 MEGOHM OSCILLOSCOPE AND 10 MEGOHM DIGITAL VOLTMETER.



1	05/30/06	ADDED -02 ASSEMBLY	N02128	WFB		
0	12/15/05	CONTROL ISSUE		WFB		
REV	Date	DESCRIPTION	Ecr(s)/Ecn(s)	Chgd By	Appvd by	Date
THE INFORMATION CONTAINED ON THIS DRAWING IS PROPRIETARY TO ST. LOUIS MUSIC, INC						
Signatures:			Date:		 1901 Congressional, St. Louis, MO 63146 First Used On:	
Drawn: RLB			5-9-05			
Checked:						
Released:						
Plot Date: Wed May 31, 2006		Drawing Size: C		Drawing Title: BASS AMP		
Plot Time: 06:13:04		Drawing Type: Schematic		Drawing Number: 07S673		
Tolerance:		Class Code: NONE		Sheet 3 of 3		