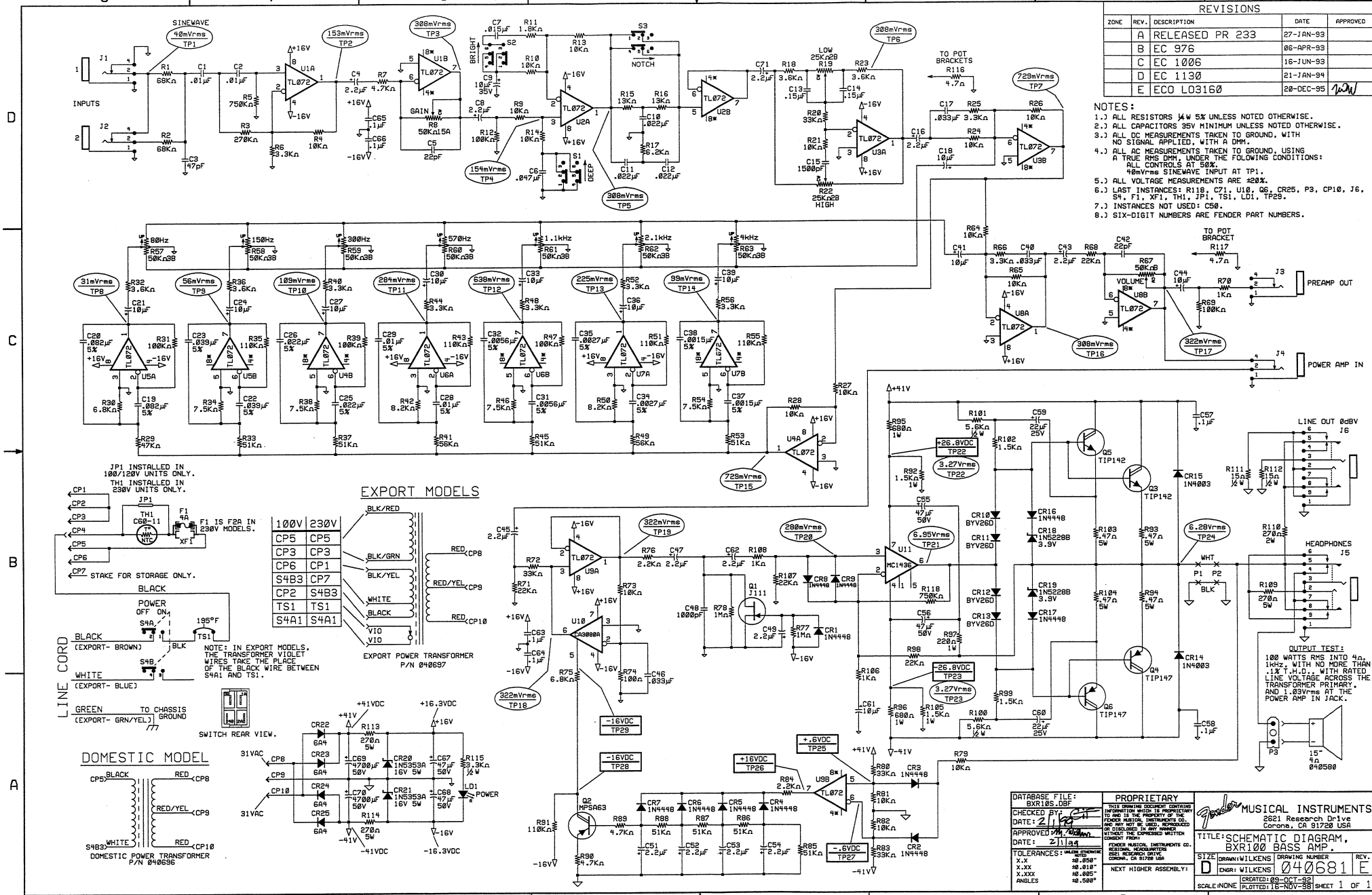


REVISIONS				
ZONE	REV.	DESCRIPTION	DATE	APPROVED
	A	RELEASED PR 233	27-JAN-93	
	B	EC 976	06-APR-93	
	C	EC 1006	16-JUN-93	
	D	EC 1130	21-JAN-94	
	E	ECO L03160	28-DEC-95	<i>[Signature]</i>

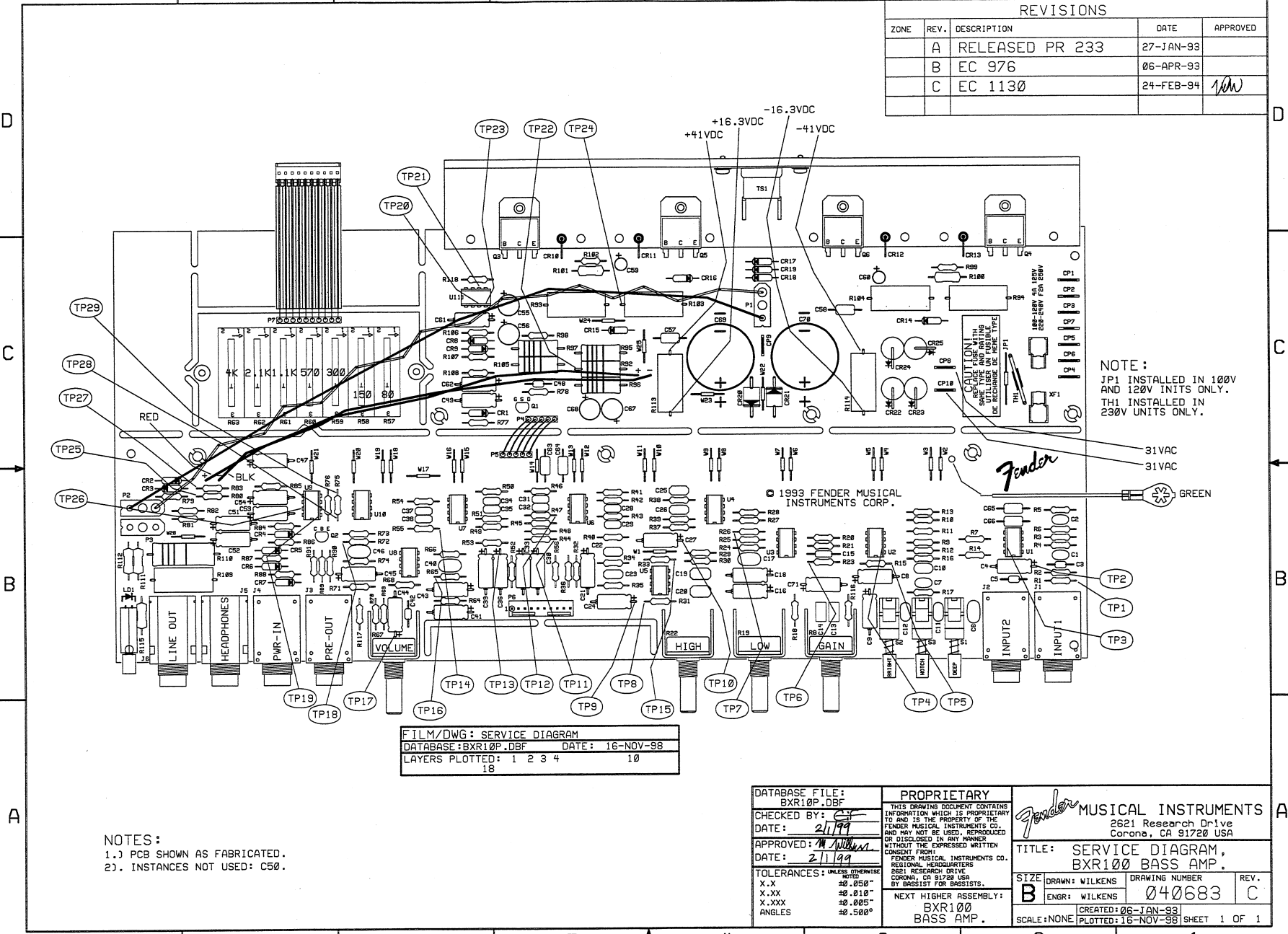
- NOTES:
- 1.) ALL RESISTORS 1/4W 5% UNLESS NOTED OTHERWISE.
  - 2.) ALL CAPACITORS 35V MINIMUM UNLESS NOTED OTHERWISE.
  - 3.) ALL DC MEASUREMENTS TAKEN TO GROUND, WITH NO SIGNAL APPLIED, WITH A DMH.
  - 4.) ALL AC MEASUREMENTS TAKEN TO GROUND, USING A TRUE RMS DMH, UNDER THE FOLLOWING CONDITIONS: ALL CONTROLS AT 50%; 40mVrms SINEWAVE INPUT AT TP1.
  - 5.) ALL VOLTAGE MEASUREMENTS ARE ±0.2%.
  - 6.) LAST INSTANCES: R18, C71, U10, Q6, CR25, P3, CP10, J6, S4, F1, XF1, TP1, JP1, TS1, LD1, TP29.
  - 7.) INSTANCES NOT USED: C56.
  - 8.) SIX-DIGIT NUMBERS ARE FENDER PART NUMBERS.



DATABASE FILE: BXR10S.DBF CHECKED BY: DATE: 2/1/94 APPROVED BY: DATE: 2/1/94 TOLERANCES: DIMENSIONS X.X .05" X.XX .01" X.XXX .005" ANGLES .500°	PROPRIETARY THIS DRAWING DOCUMENT CONTAINS THE PROPRIETARY INFORMATION OF MUSICAL INSTRUMENTS COMPANY, INC. 91720 USA AND MAY NOT BE REPRODUCED OR TRANSMITTED IN ANY FORM WITHOUT THE EXPRESSED WRITTEN CONSENT FROM: FENDER MUSICAL INSTRUMENTS CO. 2821 Research Drive Corona, CA 91720 USA NEXT HIGHER ASSEMBLY: (CREATED: 05-OCT-92) (PLOTTED: 16-NOV-98)	<b>MUSICAL INSTRUMENTS</b> 2821 Research Drive Corona, CA 91720 USA TITLE: SCHEMATIC DIAGRAM, BXR100 BASS AMP. SIZE: DRAWN: WILKENS DRAWING NUMBER: REV. NO. D ENR: WILKENS 040681 E SCALE: NONE PLOTTED: 16-NOV-98 SHEET 1 OF 1
---	--	---

8 7 6 5 4 3 2 1

REVISIONS				
ZONE	REV.	DESCRIPTION	DATE	APPROVED
	A	RELEASED PR 233	27-JAN-93	
	B	EC 976	06-APR-93	
	C	EC 1130	24-FEB-94	<i>W</i>



NOTE:  
 JP1 INSTALLED IN 100V  
 AND 120V UNITS ONLY.  
 TH1 INSTALLED IN  
 230V UNITS ONLY.

FILM/DWG: SERVICE DIAGRAM  
 DATABASE: BXR10P.DBF DATE: 16-NOV-98  
 LAYERS PLOTTED: 1 2 3 4 10  
 18

NOTES:  
 1.) PCB SHOWN AS FABRICATED.  
 2.) INSTANCES NOT USED: C50.

DATABASE FILE: BXR10P.DBF  
 CHECKED BY: *[Signature]*  
 DATE: 2/1/99  
 APPROVED: *[Signature]*  
 DATE: 2/1/99

TOLERANCES: UNLESS OTHERWISE NOTED  
 X.X ±0.050"  
 X.XX ±0.010"  
 X.XXX ±0.0025"  
 ANGLES ±0.500°

PROPRIETARY  
 THIS DRAWING DOCUMENT CONTAINS INFORMATION WHICH IS PROPRIETARY TO AND IS THE PROPERTY OF THE FENDER MUSICAL INSTRUMENTS CO., AND MAY NOT BE USED, REPRODUCED OR DISCLOSED IN ANY MANNER WITHOUT THE EXPRESSED WRITTEN CONSENT FROM:  
 FENDER MUSICAL INSTRUMENTS CO., REGIONAL HEADQUARTERS  
 2621 RESEARCH DRIVE  
 CORONA, CA 91728 USA  
 BY BASSIST FOR BASSISTS.

NEXT HIGHER ASSEMBLY:  
 BXR100  
 BASS AMP.

Fender MUSICAL INSTRUMENTS  
 2621 Research Drive  
 Corona, CA 91728 USA

TITLE: SERVICE DIAGRAM,  
 BXR100 BASS AMP.

SIZE	DRAWN: WILKENS	DRAWING NUMBER	REV.
B	ENGR: WILKENS	040683	C

SCALE: NONE  
 CREATED: 06-JAN-93  
 PLOTTED: 16-NOV-98 SHEET 1 OF 1

8 7 6 5 4 3 2 1